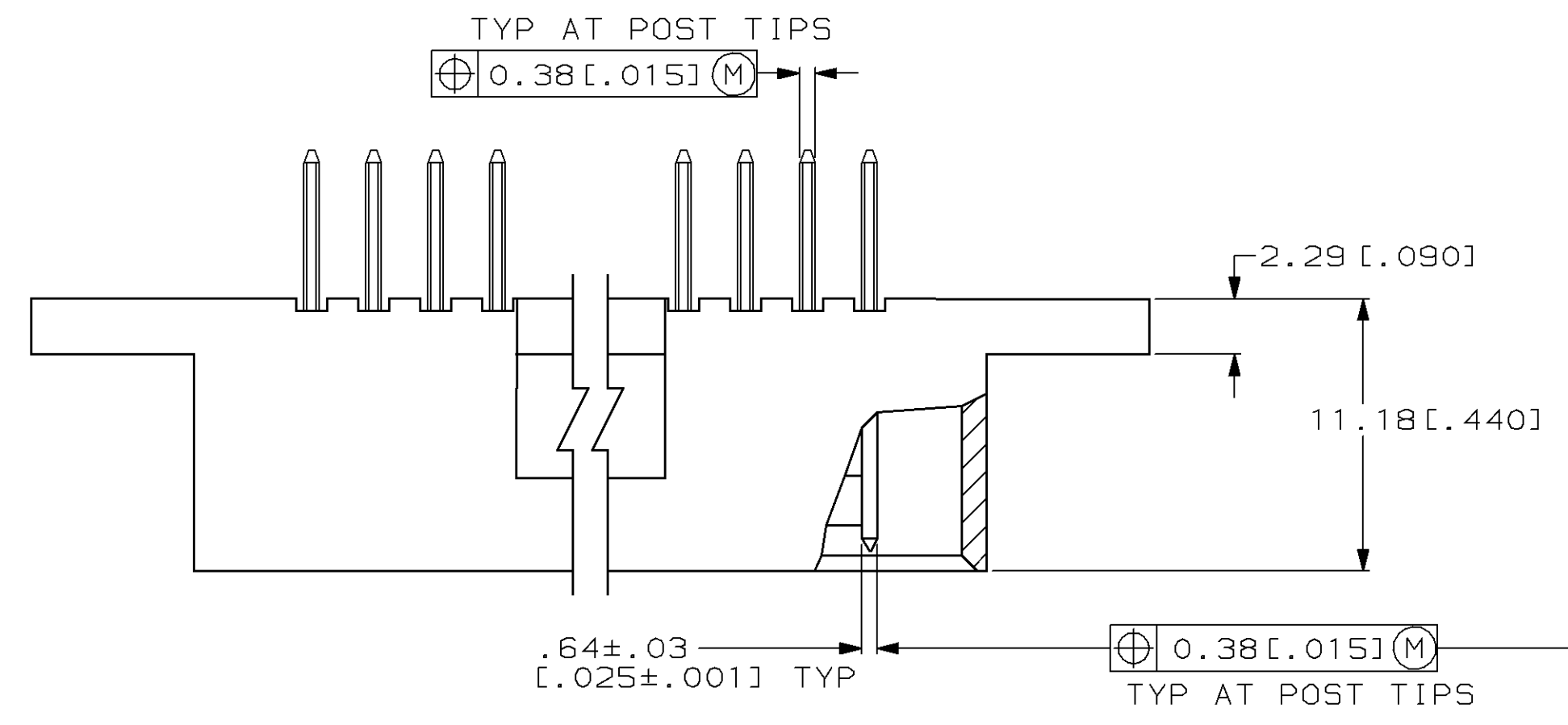
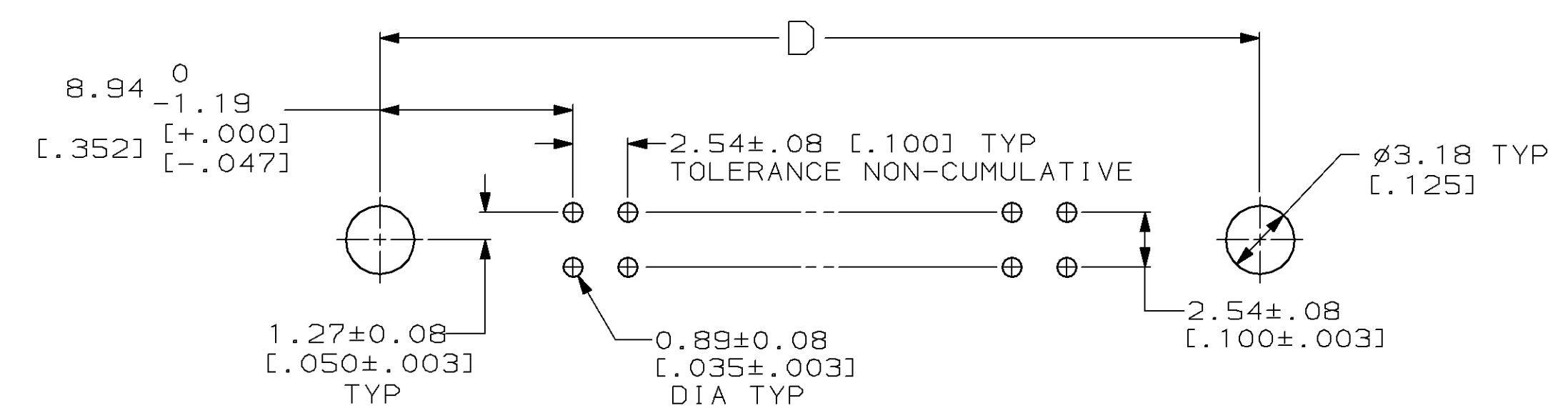
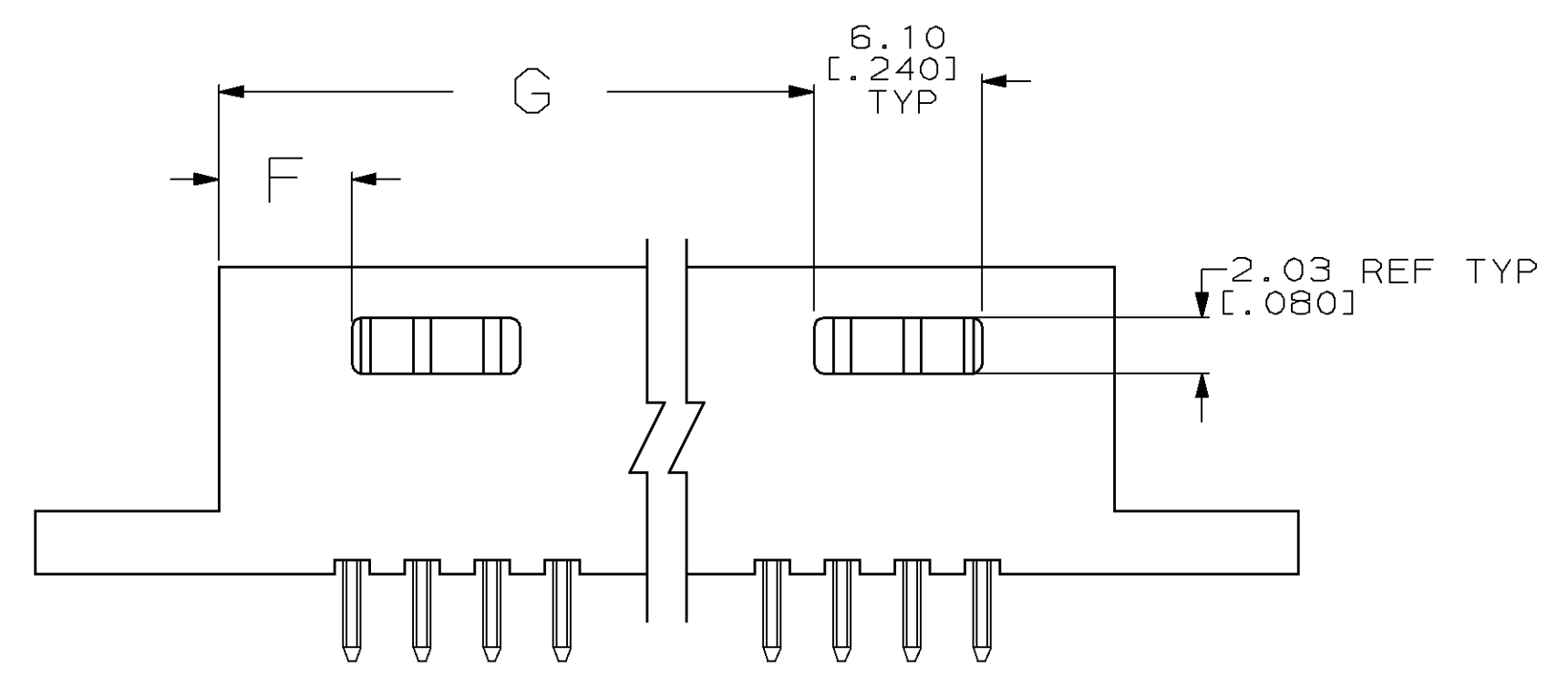
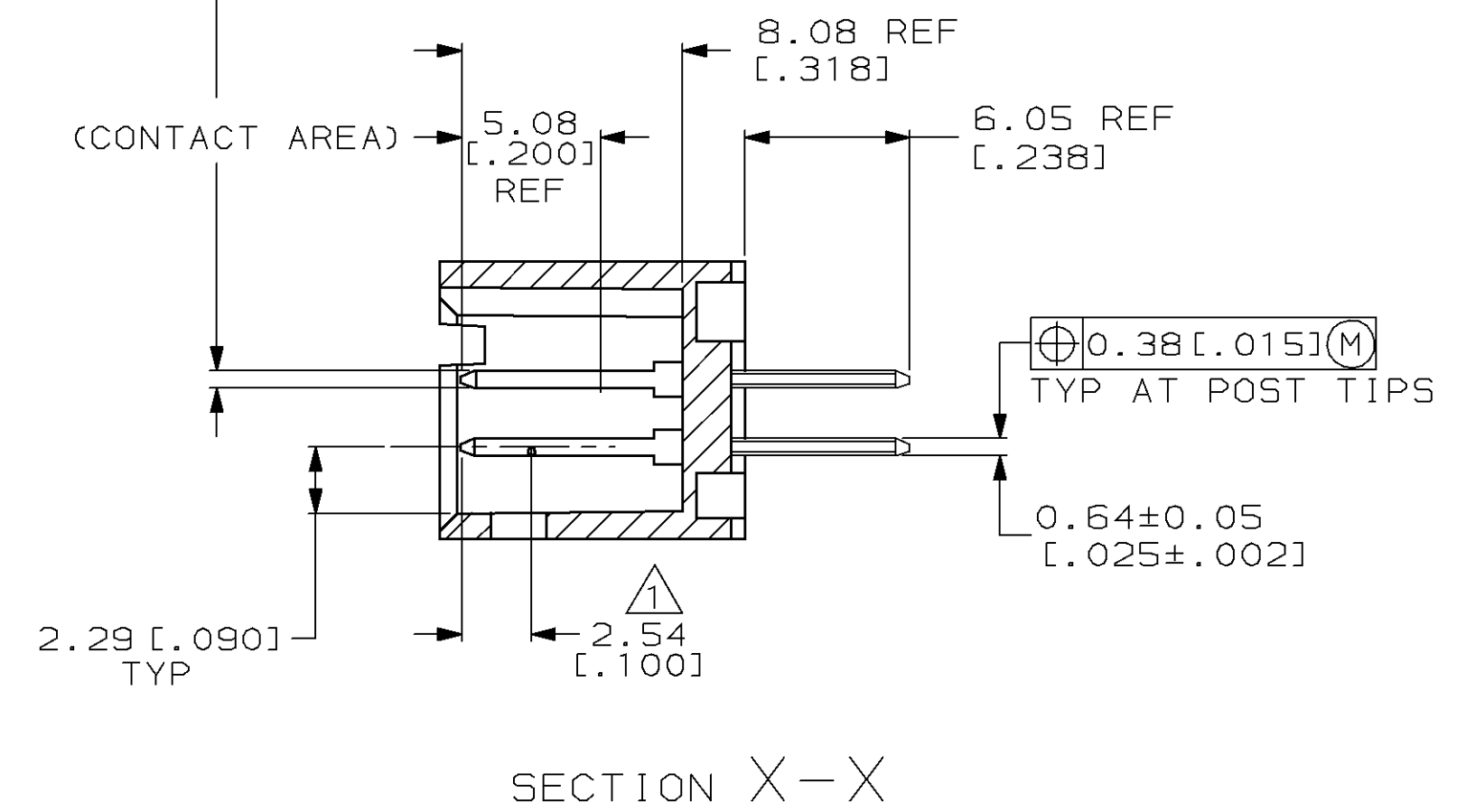
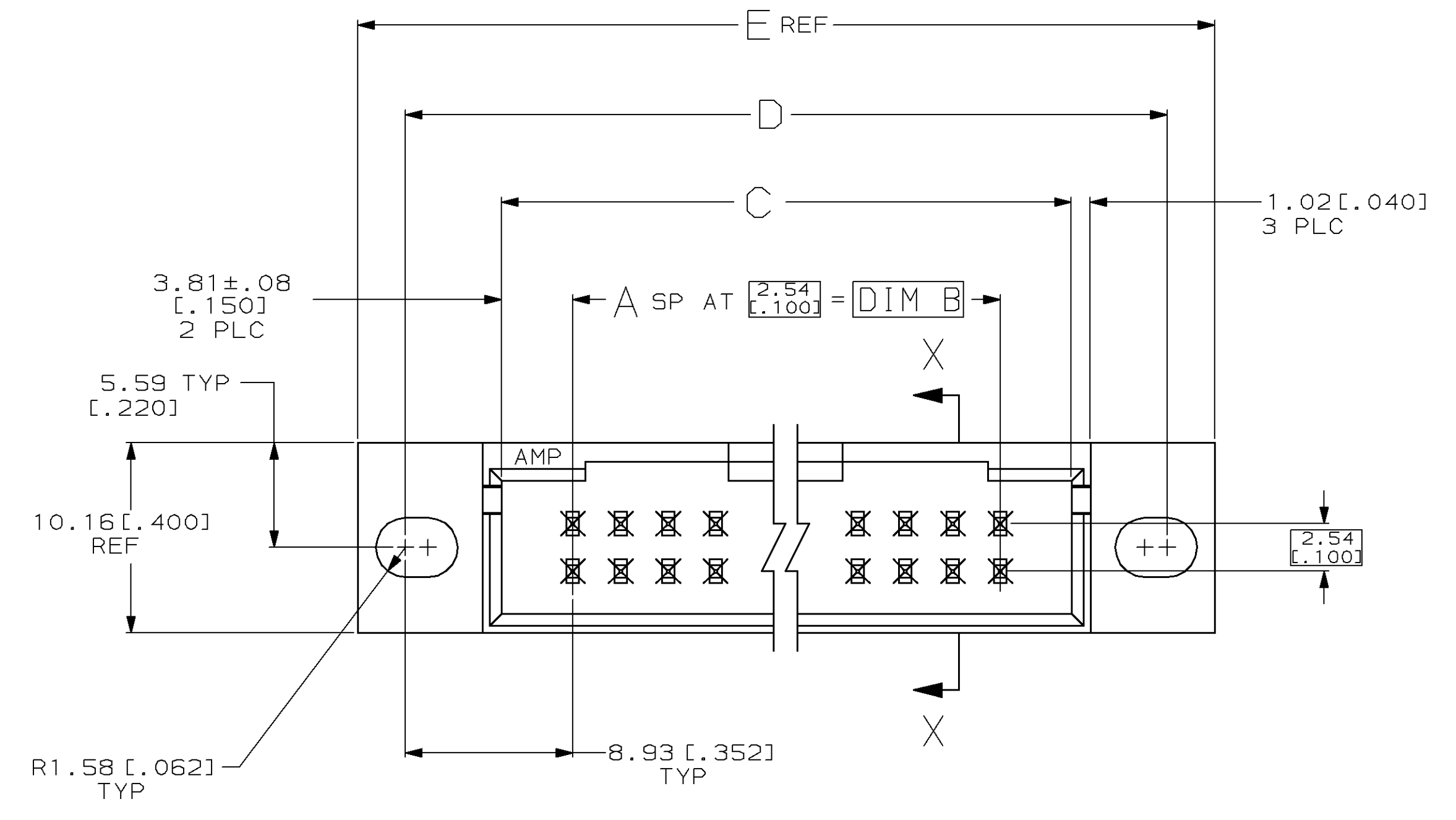


LOC		DIST		REVISIONS			
AD	39	P	LTR	DESCRIPTION	DATE	DMN	APVD
		0		RELEASED	12-FEB-97	EB	SS



- ① POINT OF MEASUREMENT FOR PLATING THICKNESS
- ② 0.00076 [.000030] GOLD ON CONTACT AREA, GOLD FLASH ON SOLDER AREA, ALL OVER 0.00127 [.000050] MIN NICKEL ON ENTIRE POST.
- ③ HOUSING: FLAME RETARDANT THERMOPLASTIC, COLOR: BLACK
POSTS: PHOS. BRONZE



RECOMMENDED HOLE LAYOUT

73.41 [2.890]	4.83 [.190]	96.62 [3.804]	91.54 [3.604]	81.28 [3.200]	73.66 [2.900]	29	60	147003-1
G	F	E	D	C	B	A	NO OF POSN	PART NUMBER

<small>THIS DRAWING IS UNPUBLISHED. IT IS SUBJECT TO CHANGE AND THE CONTROLLING ENGINEERING DEPARTMENT SHOULD BE CONTACTED FOR THE LATEST REVISION.</small>		DATE: 12-FEB-97 DESIGNED BY: E. BRANDBERG CHECKED BY: S. SHUEY DRAWN BY: S. SHUEY DATE: 12-FEB-97	NAME: AMP Incorporated ADDRESS: Harrisburg, PA 17105-3508
DIMENSIONS: mm (INCH)	TOLERANCES UNLESS OTHERWISE SPECIFIED: 0 PLC ±.005 1 PLC ±.005 2 PLC ±.005 3 PLC ±.005 4 PLC ±.005 5 PLC ±.005 6 PLC ±.005 7 PLC ±.005 8 PLC ±.005 9 PLC ±.005 10 PLC ±.005 11 PLC ±.005 12 PLC ±.005 13 PLC ±.005 14 PLC ±.005 15 PLC ±.005 16 PLC ±.005 17 PLC ±.005 18 PLC ±.005 19 PLC ±.005 20 PLC ±.005 21 PLC ±.005 22 PLC ±.005 23 PLC ±.005 24 PLC ±.005 25 PLC ±.005 26 PLC ±.005 27 PLC ±.005 28 PLC ±.005 29 PLC ±.005 30 PLC ±.005 31 PLC ±.005 32 PLC ±.005 33 PLC ±.005 34 PLC ±.005 35 PLC ±.005 36 PLC ±.005 37 PLC ±.005 38 PLC ±.005 39 PLC ±.005 40 PLC ±.005 41 PLC ±.005 42 PLC ±.005 43 PLC ±.005 44 PLC ±.005 45 PLC ±.005 46 PLC ±.005 47 PLC ±.005 48 PLC ±.005 49 PLC ±.005 50 PLC ±.005 51 PLC ±.005 52 PLC ±.005 53 PLC ±.005 54 PLC ±.005 55 PLC ±.005 56 PLC ±.005 57 PLC ±.005 58 PLC ±.005 59 PLC ±.005 60 PLC ±.005 61 PLC ±.005 62 PLC ±.005 63 PLC ±.005 64 PLC ±.005 65 PLC ±.005 66 PLC ±.005 67 PLC ±.005 68 PLC ±.005 69 PLC ±.005 70 PLC ±.005 71 PLC ±.005 72 PLC ±.005 73 PLC ±.005 74 PLC ±.005 75 PLC ±.005 76 PLC ±.005 77 PLC ±.005 78 PLC ±.005 79 PLC ±.005 80 PLC ±.005 81 PLC ±.005 82 PLC ±.005 83 PLC ±.005 84 PLC ±.005 85 PLC ±.005 86 PLC ±.005 87 PLC ±.005 88 PLC ±.005 89 PLC ±.005 90 PLC ±.005 91 PLC ±.005 92 PLC ±.005 93 PLC ±.005 94 PLC ±.005 95 PLC ±.005 96 PLC ±.005 97 PLC ±.005 98 PLC ±.005 99 PLC ±.005 100 PLC ±.005	PRODUCT SPEC: HEADER ASSY, MOD 11, 0.64 [.025] SQ POST, DBL ROW, VERTICAL, 2.54 [.100] X 2.54 [.100] ϕ , WITH MOUNTING EARS AND DETENT SLOTS APPLICATION SPEC:	SIZE: A1 CAGE CODE: 00779 DRAWING NO: C-147003 SCALE: 4:1 SHEET: 11 REV: 0